

ABSOLUTE MAXIMUM RATINGS

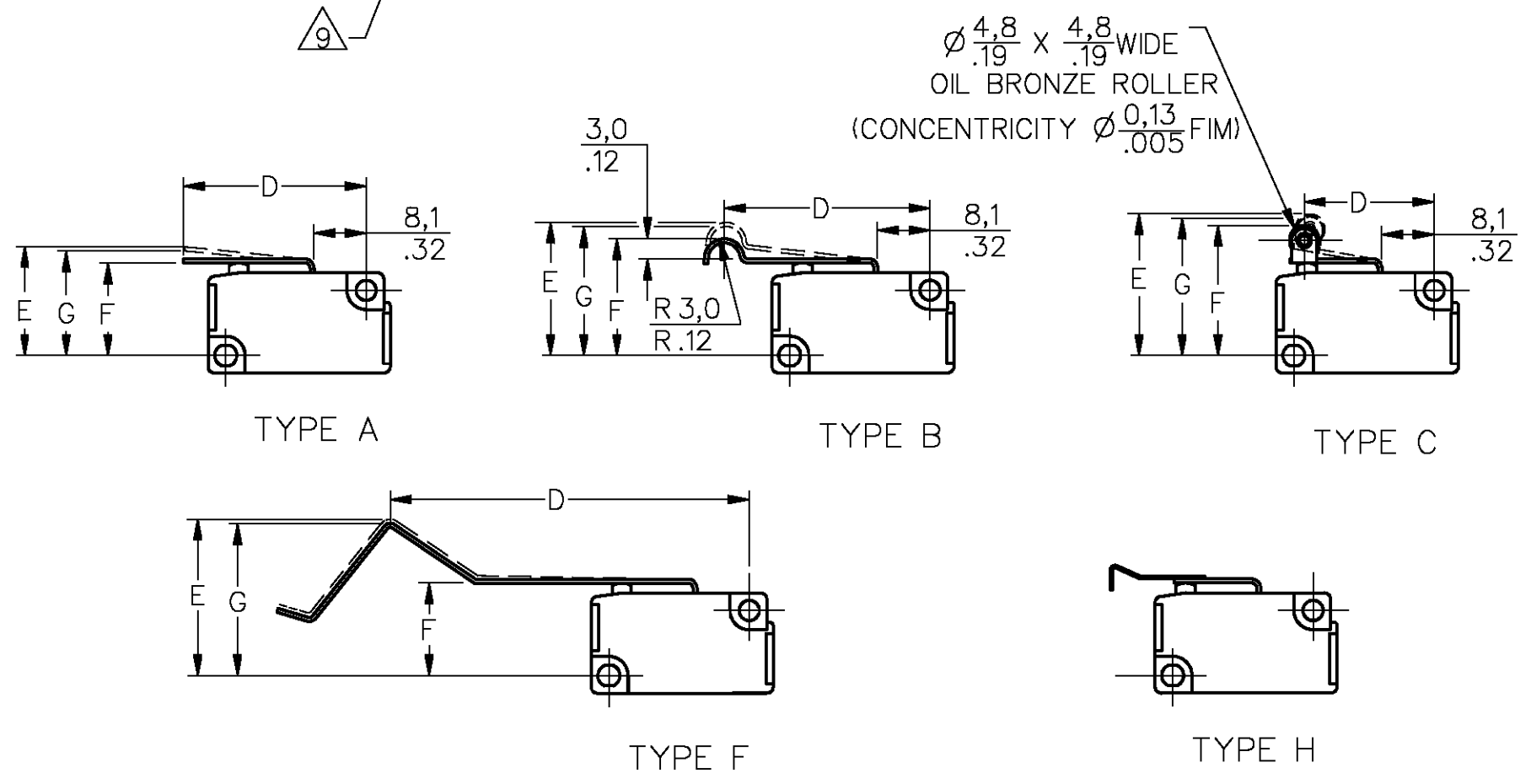
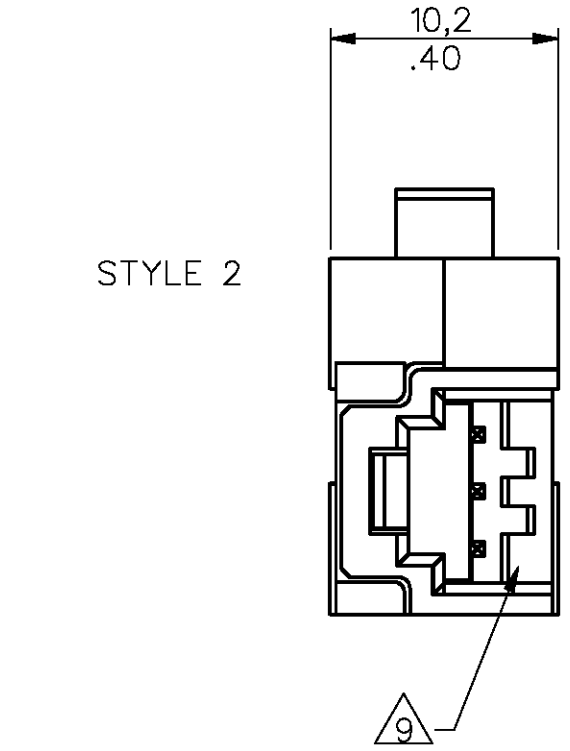
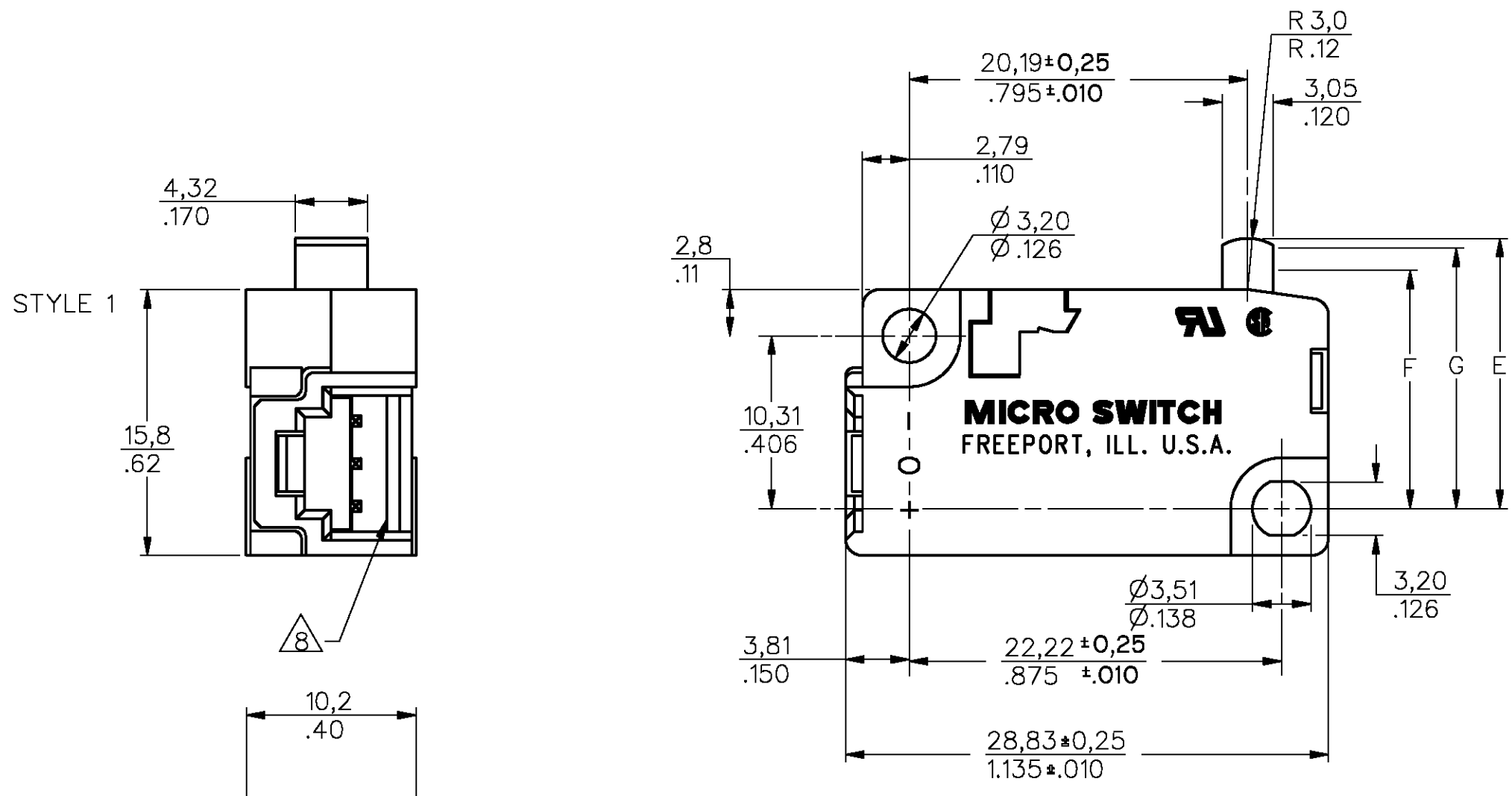
SUPPLY VOLTAGE (V _S)	-24 TO +28 VOLTS DC
VOLTAGE EXTERNALLY APPLIED TO OUTPUT	28 VOLTS DC MAX WITH OUTPUT TRANSISTOR IN OFF CONDITION ONLY $\sqrt{1\sqrt{6}}$ -0.5 VOLTS MIN WITH OUTPUT TRANSISTOR IN ON OR OFF CONDITION $\sqrt{1\sqrt{6}}$
LOAD ON OUTPUT	20mA
TEMPERATURE $\sqrt{11}$	-40°C TO +70°C EXCEPT SPECIAL LISTINGS

ELECTRICAL CHARACTERISTICS $\sqrt{1}$

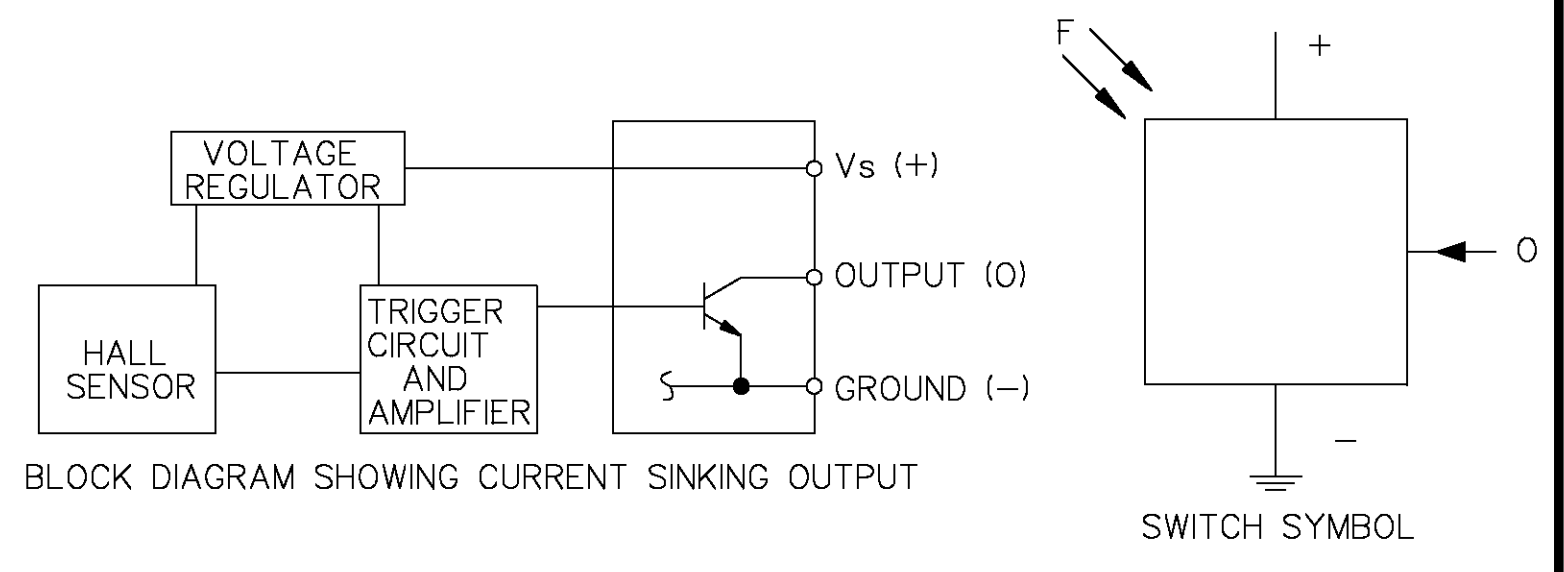
	MIN	TYP	MAX	REMARKS
SUPPLY CURRENT $\sqrt{2}$		5mA	15mA	OUTPUT TRANSISTOR OFF $\sqrt{6}$
OUTPUT VOLTAGE $\sqrt{1\sqrt{3}}$ (OUTPUT TRANSISTOR ON) $\sqrt{5\sqrt{6}}$		0.15V	0.4V	SINKING 10mA MAX
OUTPUT LEAKAGE $\sqrt{1\sqrt{3}}$ CURRENT (OUTPUT TRANSISTOR OFF) $\sqrt{5\sqrt{6}}$			10μA	LEAKAGE INTO SWITCH OUTPUT
OUTPUT SWITCHING TIME (SINKING 10mA) $\sqrt{3\sqrt{5}}$				
RISE TIME		0.5μS	1.5μS	10% TO 90%
FALL TIME		0.5μS	1.0μS	90% TO 10%

NOTES

- $\sqrt{1}$ REFER TO CHART TO DETERMINE THE UNACTUATED OUTPUT VOLTAGE AND OUTPUT TRANSISTOR STATE
- $\sqrt{2}$ AT 24°C ± 2°C AND SUPPLY VOLTAGE OF 4.5 TO 24 VOLTS DC
- $\sqrt{3}$ OVER A TEMPERATURE RANGE OF 0°C TO +70°C
- $\sqrt{4}$ LEVER MAY NOT BE SELF RETURNING WHEN MOUNTED WITH WEIGHT OF LEVER ON SWITCH PLUNGER
- $\sqrt{5}$ SUPPLY VOLTAGE OF 4.5 TO 24 VOLTS DC
- $\sqrt{6}$ "TRANSISTOR ON" CONDITION IS DEFINED TO BE WHEN THE OUTPUT TRANSISTOR IS CONDUCTING CURRENT
- 7 - BLACK PLUNGER INDICATES NORMALLY HIGH OUTPUT; RED PLUNGER INDICATES NORMALLY LOW OUTPUT
- $\sqrt{8}$ ACCEPTS CONNECTOR EQUIVALENT TO AMP PART NO. 102241-1
- $\sqrt{9}$ ACCEPTS CONNECTOR EQUIVALENT TO MOLEX PART NO. 50-57-9403
- $\sqrt{10}$ SPECIAL LEVER FORM
- $\sqrt{11}$ SPECIAL TEMPERATURE FOR GE -40°C TO +60°C



SCALE: FULL SIZE



BLOCK DIAGRAM SHOWING CURRENT SINKING OUTPUT

SWITCH SYMBOL

DRAWING NUMBER: VX SERIES CHART 1
 PAGE: 1 OF 4
 ISSUE: 21
 CHECK: J A F 13JAN99
 RELEASE NO. PR-12882
 REPLACES: X80986-VX
 REVISIONS:
 A CO79902 J A F 7 FEB 95
 B PR22156 J A K 14 AUG 96
 C CO83741 J A K 8 OCT 96
 D CO93789 J A F 3 NOV 98
 E PR23775 P P F 04 DEC 98
 F PR23787 P P F 13 JAN 99
 G PR23780 P P F 25 FEB 99
 H CO93843 D L T 14 APR 99
 J CO95107 G J W 29 APR 99
 K CO 95704 D L M 22 MAR 00
 FORMTEK DRAWN: J A F 7FEB95 CHECK: K A G 16FEB99

THIS DRAWING COVERS A PROPRIETARY ITEM AND IS THE PROPERTY OF MICRO SWITCH, A DIVISION OF HONEYWELL. THIS DRAWING IS NOT TO BE COPIED OR USED WITHOUT THE APPROVAL OF MICRO SWITCH.

MICRO SWITCH
a Honeywell Division

SWITCH - SOLID STATE

VX SERIES CHART 1

CATALOG LISTING

FED. MFG. CODE 91929

THIRD ANGLE PROJECTION

SCALE 3:1

DO NOT SCALE PRINT

UNLESS OTHERWISE SPECIFIED TOLERANCES ARE

ONE PLACE (.0)	±.030
TWO PLACES (.00)	±.015
THREE PLACES (.000)	±.005
ANGLES	±

WEIGHT

"D" LEVER ACTUATION POINT	LEVER TYPE	"E" FREE POSITION (MAX)	"F" OPERATION POINT (MIN)	"G" RELEASE POINT (MAX)	OVER-TRAVEL (MIN)	DIFF TRAVEL (MIN)	FORCE AT OPERATE POINT		UNACTUATED OUTPUT VOLTAGE	OUTPUT TRANSISTOR	SOLDER PLATED TERMINALS		
							OUNCES	GRAMS			CATALOG LISTING	STYLE 1	STYLE 2
							OUNCES	GRAMS			6	8	9
.795	NONE	$\frac{16.38}{.645}$	$\frac{14.22}{.560}$	$\frac{15.54}{.612}$	$\frac{1.02}{.040}$	$\frac{0.05}{.002}$	$\frac{.35}{-.14}^{+.18}$	10^{+5}_{-4}	HIGH	OFF	VX10	VX12	
							$3.0 \pm .88$	85 ± 25	LOW	ON	VX11	VX13	
.860	A	$\frac{17.27}{.680}$	$\frac{14.71}{.579}$	$\frac{16.33}{.643}$	$\frac{1.02}{.040}$	$\frac{0.05}{.002}$	$\frac{.35 \pm .2}{.2.8 \pm 1.1}$	10 ± 5	HIGH	OFF	VX10-A1	VX12-A1	
							80 ± 30	LOW	ON	VX11-A1	VX13-A1		
1.400	A	$\frac{19.28}{.759}$	$\frac{13.94}{.549}$	$\frac{17.32}{.682}$	$\frac{2.16}{.085}$	$\frac{0.10}{.004}$	$\frac{0.2 \pm .1}{1.41 \pm .50}$	5^{+3}_{-2}	HIGH	OFF	VX10-A2	VX12-A2	
							40 ± 15	LOW	ON	VX11-A2	VX13-A2		
2.340	A	$\frac{22.58}{.889}$	$\frac{12.62}{.497}$	$\frac{18.97}{.747}$	$\frac{4.06}{.160}$	$\frac{0.20}{.008}$	$\frac{.10 \pm .07}{.75 \pm .35}$	3 ± 2	HIGH	OFF	VX10-A3	VX12-A3	
							21^{+9}_{-7}	LOW	ON	VX11-A3	VX13-A3		
1.285	B	$\frac{22.23}{.875}$	$\frac{17.02}{.670}$	$\frac{20.52}{.808}$	$\frac{1.91}{.075}$	$\frac{0.10}{.004}$	$\frac{0.20 \pm .15}{1.55 \pm .53}$	5^{+4}_{-2}	HIGH	OFF	VX10-B1	VX12-B1	
							44 ± 15	LOW	ON	VX11-B1	VX13-B1		
.810	C	$\frac{22.48}{.885}$	$\frac{19.99}{.787}$	$\frac{21.62}{.851}$	$\frac{1.02}{.040}$	$\frac{0.05}{.002}$	$\frac{.40 \pm .20}{3.0 \pm 1.06}$	12 ± 5	HIGH	OFF	VX10-C1	VX12-C1	
							85 ± 30	LOW	ON	VX11-C1	VX13-C1		
$\frac{.795}{\triangle A}$	A	$\frac{17.78}{.700}$	$\frac{14.73}{.580}$	$\frac{16.13}{.635}$	$\frac{1.02}{.040}$	$\frac{0.10}{.004}$	$\frac{.35}{-.14}^{+.18}$	10^{+5}_{-4}	LOW	ON	VX81-A2-GE		
1.226	F	$\frac{25.73}{1.013}$	$\frac{21.72}{.855}$	$\frac{23.98}{.944}$	$\frac{1.65}{.065}$	$\frac{0.13}{.005}$	$\frac{.35}{-.14}^{+.18}$	10^{+5}_{-4}	HIGH	OFF	VX10-F1	VX11-F1	
1.250	F	$\frac{25.58}{1.007}$	$\frac{21.72}{.855}$	$\frac{23.83}{.938}$	$\frac{1.65}{.065}$	$\frac{0.13}{.005}$	$\frac{.35}{-.14}^{+.18}$	10^{+5}_{-4}	HIGH	OFF	VX10-FA		

NOTE
 $\triangle A$ MEASUREMENTS TAKEN OVER PLUNGER

DRAWING NUMBER: VX SERIES CHART 1
 PAGE 2 OF 4
 ISSUE: 21
 RELEASE NO. PR-12882
 REPLACES: X80986-VX
 REVISIONS:
 L CO-95107
 G J W 29 APR 99
 K CO-95704
 DLM 22 MAR 00
 CHECK J A F 13 JAN 99
 CHECK J A F 08 DEC 98
 CHECK J A F 13 JAN 99
 FORMTEK DRAWN J A S BAUG88



MASTER REDUCED
ANSI Y14.5M-1982 APPLIES

THIS DRAWING COVERS A PROPRIETARY ITEM AND IS THE PROPERTY OF MICRO SWITCH, A DIVISION OF HONEYWELL. THIS DRAWING IS NOT TO BE COPIED OR USED WITHOUT THE APPROVAL OF MICRO SWITCH.

MICRO SWITCH
a Honeywell Division

SWITCH - SOLID STATE

CATALOG LISTING
VX SERIES
CHART 1

FED. MFG. CODE 91929

THIRD ANGLE PROJECTION

SCALE NONE

DO NOT SCALE PRINT

UNLESS OTHERWISE SPECIFIED TOLERANCES ARE

ONE PLACE	(.0)	±.030
TWO PLACES	(.00)	±.015
THREE PLACES	(.000)	±.005
ANGLES		±

WEIGHT

UNLESS OTHERWISE NOTED MECHANICAL CHARACTERISTICS ARE GIVEN ON LEVER OVER PLUNGER

"D" LEVER ACTUATION POINT	LEVER TYPE	"E" FREE POSITION (MAX)	"F" OPERATION POINT (MIN)	"G" RELEASE POINT (MAX)	OVER-TRAVEL (MIN)	DIFF TRAVEL (MIN)	FORCE AT OPERATE POINT		UNACTUATED OUTPUT VOLTAGE	OUTPUT TRANSISTOR	CATALOG LISTING		COMMENTS	
							OUNCES	GRAMS			STYLE 1	STYLE 2		
.795	F	$\frac{17.02}{.670}$	$\frac{14.86}{.585}$	$\frac{16.18}{.637}$	$\frac{0.91}{.036}$	$\frac{0.05}{.002}$.35	$\frac{+18}{-14}$	10	$\frac{+5}{-4}$	HIGH	OFF	VX10-F4	GENICOM DRAWING NO. 44A501960-001
.795	H	$\frac{17.02}{.670}$	$\frac{15.37}{.605}$	$\frac{16.69}{.657}$	$\frac{0.91}{.036}$	$\frac{0.05}{.002}$.35	$\frac{+18}{-14}$	10	$\frac{+5}{-4}$	HIGH	OFF		
.795	F	$\frac{17.02}{.670}$	$\frac{14.86}{.585}$	$\frac{16.18}{.637}$	$\frac{0.91}{.036}$	$\frac{0.05}{.002}$.35	$\frac{+18}{-14}$	10	$\frac{+5}{-4}$	LOW	ON		
.795	H	$\frac{17.02}{.670}$	$\frac{15.37}{.605}$	$\frac{16.69}{.657}$	$\frac{0.91}{.036}$	$\frac{0.05}{.002}$.35	$\frac{+18}{-14}$	10	$\frac{+5}{-4}$	HIGH	OFF	VX10-H2	
	NONE	$\frac{16.38}{.645}$	$\frac{14.22}{.560}$	$\frac{15.54}{.612}$	$\frac{1.02}{.040}$	$\frac{0.05}{.002}$	1.2*	18	34*	5	HIGH	OFF	VX30HP	
.795	A	$\frac{17.02}{.670}$	$\frac{14.86}{.585}$	$\frac{16.18}{.637}$	$\frac{0.91}{.036}$	$\frac{0.05}{.002}$.35	$\frac{+18}{-14}$	10	$\frac{+5}{-4}$	HIGH	OFF		
.795	F	$\frac{17.02}{.670}$	$\frac{14.86}{.585}$	$\frac{16.18}{.637}$	$\frac{0.91}{.036}$	$\frac{0.05}{.002}$.35	$\frac{+18}{-14}$	10	$\frac{+5}{-4}$	HIGH	OFF		
.795	F	$\frac{17.02}{.670}$	$\frac{14.86}{.585}$	$\frac{16.18}{.637}$	$\frac{0.91}{.036}$	$\frac{0.05}{.002}$.35	$\frac{+18}{-14}$	10	$\frac{+5}{-4}$	HIGH	OFF	VX10-F8	
.810	C	$\frac{22.48}{.885}$	$\frac{19.99}{.787}$	$\frac{21.62}{.851}$	$\frac{1.02}{.040}$	$\frac{0.05}{.002}$.19*	.09	5.4*	2.6	HIGH	OFF	VX10-C1L	

DRAWING NUMBER: VX SERIES CHART 1
 PAGE 3 OF 4
 ISSUE: 21
 RELEASE NO. PR-13520
 REPLACES: X80986-VX
 REVISIONS:
 A PR16589
 22 JUL 88
 A PR16590
 J A S
 22 JUL 88
 A C084025
 J A S
 22 JUL 88
 B PR17180
 K A T
 3 MAR 89
 C C093789
 J A S
 3 NOV 88
 D PR23775
 P B F
 08 DEC 88
 E PR23787
 M B O
 13 JAN 89
 F PR23780
 G R T
 25 FEB 89
 G C093843
 J A S
 14 APR 89
 H C0-95107
 G J W
 29 APR 89
 J C0-95704
 D L W
 22 MAR 00
 FORMTEK DRAWN BY: JAS
 CHECKED BY: JAF
 DATE: 22 JUL 88



MASTER REDUCED
ANSI Y14.5M-1982 APPLIES

THIS DRAWING COVERS A PROPRIETARY ITEM AND IS THE PROPERTY OF MICRO SWITCH, A DIVISION OF HONEYWELL. THIS DRAWING IS NOT TO BE COPIED OR USED WITHOUT THE APPROVAL OF MICRO SWITCH.

MICRO SWITCH
a Honeywell Division

SWITCH - SOLID STATE

CATALOG LISTING
VX SERIES
CHART 1

FED. MFG. CODE 91929

THIRD ANGLE PROJECTION	
SCALE	NONE
DO NOT SCALE PRINT	
UNLESS OTHERWISE SPECIFIED TOLERANCES ARE	
ONE PLACE	(.0) ±.030
TWO PLACES	(.00) ±.015
THREE PLACES	(.000) ±.005
ANGLES	±
WEIGHT	

UNLESS OTHERWISE NOTED MECHANICAL CHARACTERISTICS ARE GIVEN ON LEVER OVER PLUNGER

"D" LEVER ACTUATION POINT	LEVER TYPE	"E" FREE POSITION (MAX)	"F" OPERATION POINT (MIN)	"G" RELEASE POINT (MAX)	OVER-TRAVEL (MIN)	DIFF TRAVEL (MIN)	FORCE AT OPERATE POINT		UNACTUATED OUTPUT VOLTAGE	OUTPUT TRANSISTOR	CATALOG LISTING		IBM DRAWING NO.	COMMENTS
							OUNCES	GRAMS			STYLE 1	STYLE 2		
.795	F	17.02 .670	14.86 .585	16.18 .637	0.91 .036	0.05 .002	.35 +.18 -.14	10 +5 -4	HIGH	OFF	VX10-F1		4592340	
.795	F	17.02 .670	14.86 .585	16.18 .637	0.91 .036	0.05 .002	.35 +.18 -.14	10 +5 -4	HIGH	OFF	(F)		4593242	
.795	F	17.02 .670	14.86 .585	16.18 .637	0.91 .036	0.05 .002	.35 +.18 -.14	10 +5 -4	HIGH	OFF	(F)		4593470	
.795	F	17.02 .670	14.86 .585	16.18 .637	0.91 .036	0.05 .002	.35 +.18 -.14	10 +5 -4	HIGH	OFF	(F)		4592552	

IBM CORPORATION SWITCHES ONLY THIS PAGE

DRAWING NUMBER: VX SERIES CHART 1
 PAGE 4 OF 4
 ISSUE: 21
 CHECK: J A S
 REVISIONS:
 A CO64025 J A S 9 AUG 88
 B CO93789 D L T 3 NOV 98
 C PR23775 P P F 03 DEC 98
 D PR23787 M F O 13 JAN 99
 E PR23780 J A F 25 FEB 99
 F CO93843 D L T 14 APR 99
 G CO-95107 J A F 29 APR 99
 H CO-95704 D L M 22 MAR 00
 CHECK: J A S
 J A S 19AUG88 CHECK: J A F 09DEC98 CHECK: J A F 13JAN99
 REPLACES: X80986-VX

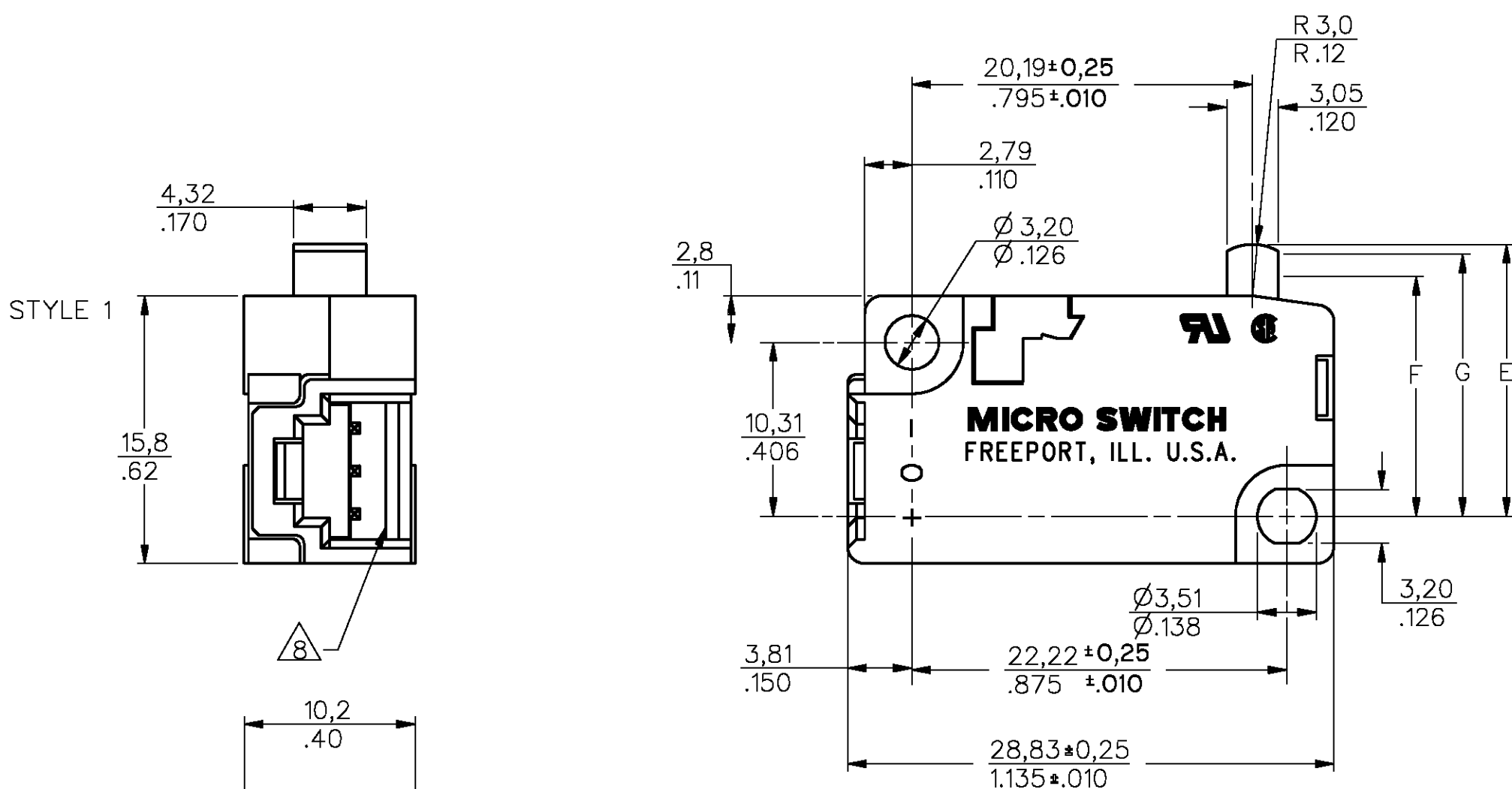
REV	NO	DESCRIPTION	DATE
A	CO64025	J A S	9 AUG 88
B	CO93789	D L T	3 NOV 98
C	PR23775	P P F	03 DEC 98
D	PR23787	M F O	13 JAN 99
E	PR23780	J A F	25 FEB 99
F	CO93843	D L T	14 APR 99
G	CO-95107	J A F	29 APR 99
H	CO-95704	D L M	22 MAR 00



MASTER REDUCED
ANSI Y14.5M-1982 APPLIES

 MICRO SWITCH a Honeywell Division FED. MFG. CODE 91929	SWITCH - SOLID STATE	CATALOG LISTING
		VX SERIES CHART 1

THIRD ANGLE PROJECTION	
SCALE	NONE
DO NOT SCALE PRINT	
UNLESS OTHERWISE SPECIFIED TOLERANCES ARE	
ONE PLACE	(.0) ±.030
TWO PLACES	(.00) ±.015
THREE PLACES	(.000) ±.005
ANGLES	±
WEIGHT	



ABSOLUTE MAXIMUM RATINGS

SUPPLY VOLTAGE (V _s)	-24 TO +28 VOLTS DC
VOLTAGE EXTERNALLY APPLIED TO OUTPUT	28 VOLTS DC MAX WITH OUTPUT TRANSISTOR IN OFF CONDITION ONLY $\sqrt{1/6}$ -0.5 VOLTS MIN WITH OUTPUT TRANSISTOR IN ON OR OFF CONDITION $\sqrt{1/6}$
LOAD ON OUTPUT	20mA
TEMPERATURE $\sqrt{11}$	-40°C TO +70°C EXCEPT SPECIAL LISTINGS

ELECTRICAL CHARACTERISTICS $\sqrt{1}$

	MIN	TYP	MAX	REMARKS
SUPPLY CURRENT $\sqrt{2}$		5mA	15mA	OUTPUT TRANSISTOR OFF $\sqrt{6}$
OUTPUT VOLTAGE $\sqrt{1/3}$ (OUTPUT TRANSISTOR ON) $\sqrt{5/6}$		0.15V	0.4V	SINKING 10mA MAX
OUTPUT LEAKAGE $\sqrt{1/3}$ CURRENT (OUTPUT TRANSISTOR OFF) $\sqrt{5/6}$			10 μ A	LEAKAGE INTO SWITCH OUTPUT
OUTPUT SWITCHING TIME (SINKING 10mA) $\sqrt{3/5}$ RISE TIME FALL TIME		0.5 μ S 0.5 μ S	1.5 μ S 1.0 μ S	10% TO 90% 90% TO 10%

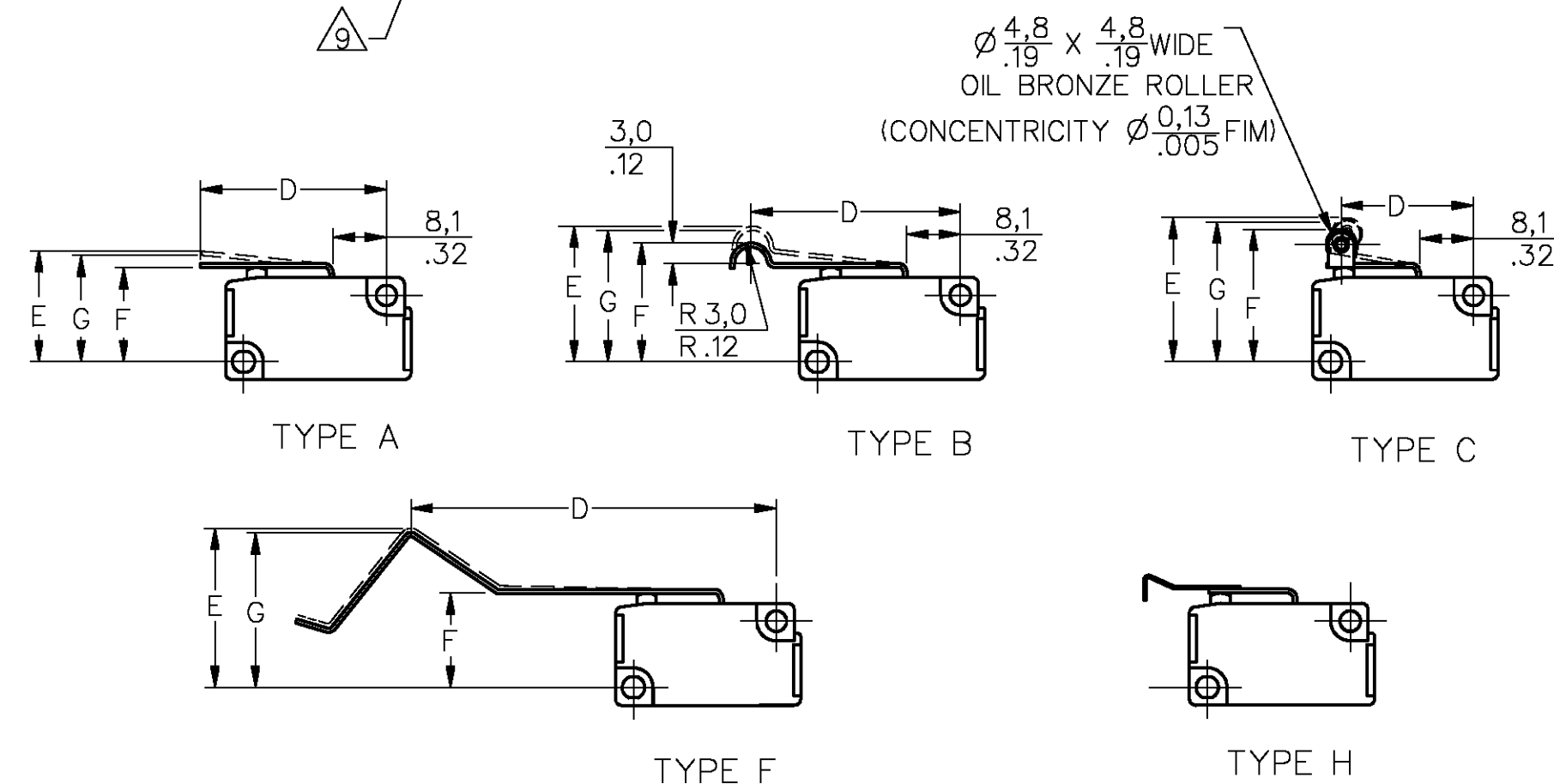
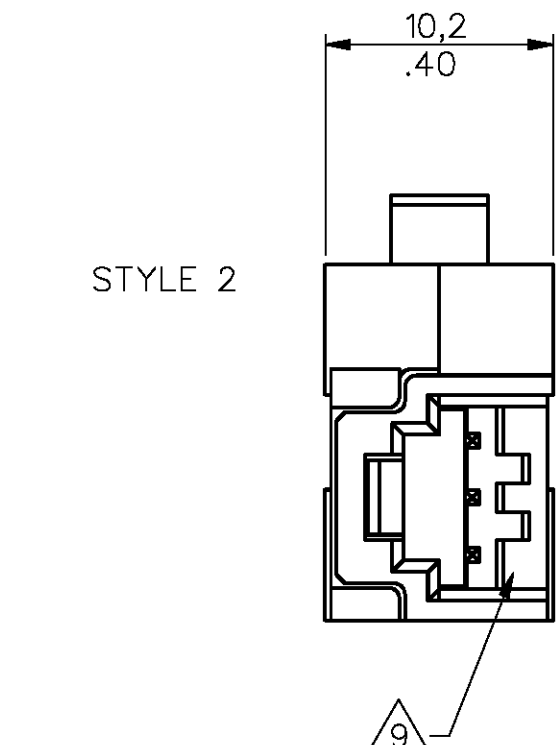
NOTES

- $\sqrt{1}$ REFER TO CHART TO DETERMINE THE UNACTUATED OUTPUT VOLTAGE AND OUTPUT TRANSISTOR STATE
- $\sqrt{2}$ AT 24°C \pm 2°C AND SUPPLY VOLTAGE OF 4.5 TO 24 VOLTS DC
- $\sqrt{3}$ OVER A TEMPERATURE RANGE OF 0°C TO +70°C
- $\sqrt{4}$ LEVER MAY NOT BE SELF RETURNING WHEN MOUNTED WITH WEIGHT OF LEVER ON SWITCH PLUNGER
- $\sqrt{5}$ SUPPLY VOLTAGE OF 4.5 TO 24 VOLTS DC
- $\sqrt{6}$ "TRANSISTOR ON" CONDITION IS DEFINED TO BE WHEN THE OUTPUT TRANSISTOR IS CONDUCTING CURRENT
- 7 - BLACK PLUNGER INDICATES NORMALLY HIGH OUTPUT; RED PLUNGER INDICATES NORMALLY LOW OUTPUT
- $\sqrt{8}$ ACCEPTS CONNECTOR EQUIVALENT TO AMP PART NO. 102241-1
- $\sqrt{9}$ ACCEPTS CONNECTOR EQUIVALENT TO MOLEX PART NO. 50-57-9403
- $\sqrt{10}$ SPECIAL LEVER FORM
- $\sqrt{11}$ SPECIAL TEMPERATURE FOR GE -40°C TO +60°C

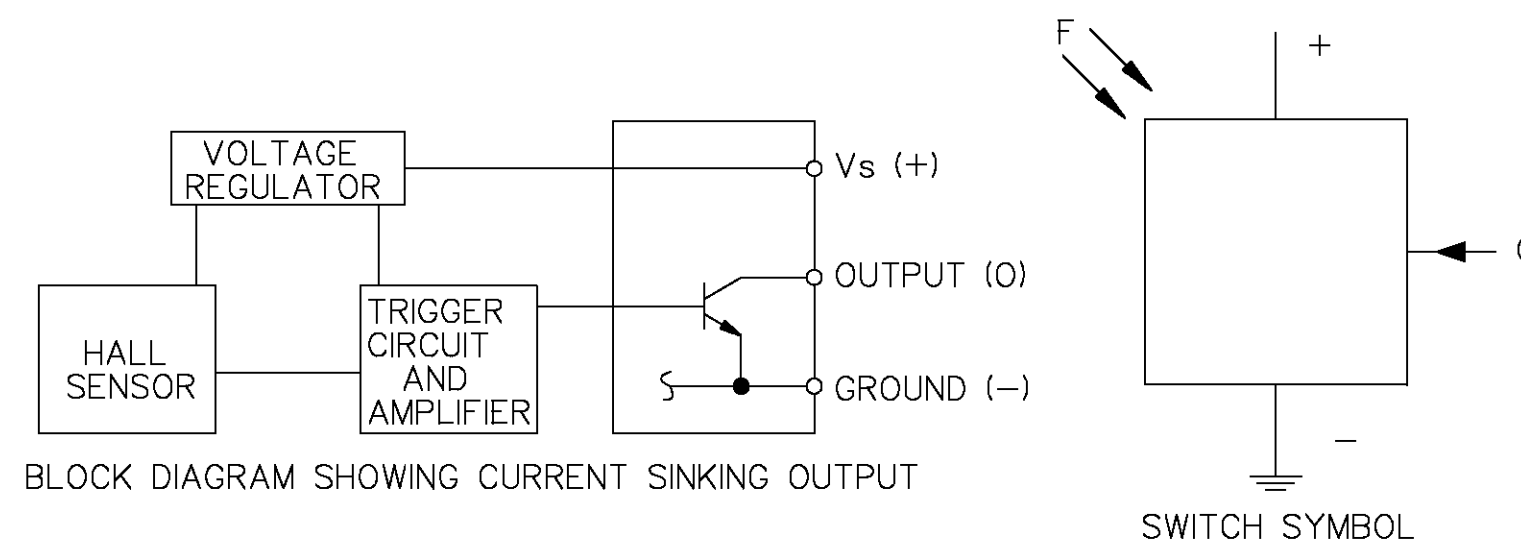
DRAWING NUMBER
VX SERIES CHART 1
 PAGE 1 OF 4
 ISSUE
21
 CHECK J A F 13 JAN 99
 RELEASE NO. PR-12882
 REPLACES X80986-VX
 REVISIONS

A	CO79902
J A	7 FEB 95
B	PR22156
J A K	14 AUG 96
C	CO83741
J A K	8 OCT 96
D	CO93789
J A K	3 NOV 98
E	PR23775
J A K	04 DEC 98
F	PR23787
J A K	13 JAN 99
G	PR23780
J A K	25 FEB 99
H	CO93843
J A K	14 APR 99
J	CO95107
J A K	29 APR 99
K	CO95704
J A K	22 MAR 00

 CHECK K A G 16 FEB 99
 FORMTEK
 DRAWN
 J A F 17 FEB 95



SCALE: FULL SIZE



THIS DRAWING COVERS A PROPRIETARY ITEM AND IS THE PROPERTY OF MICRO SWITCH, A DIVISION OF HONEYWELL. THIS DRAWING IS NOT TO BE COPIED OR USED WITHOUT THE APPROVAL OF MICRO SWITCH. MICRO SWITCH a Honeywell Division FED. REG. CODE 91929	SWITCH - SOLID STATE VX SERIES CHART 1	CATALOG LISTING VX SERIES CHART 1 WEIGHT	THIRD ANGLE PROJECTION SCALE 3:1 DO NOT SCALE PRINT UNLESS OTHERWISE SPECIFIED TOLERANCES ARE ONE PLACE (.0) \pm .030 TWO PLACES (.00) \pm .015 THREE PLACES (.000) \pm .005 ANGLES \pm WEIGHT
--	---	---	--

MASTER REDUCED
ANSI Y14.5M-1982 APPLIES

"D" LEVER ACTUATION POINT	LEVER TYPE	"E" FREE POSITION (MAX)	"F" OPERATION POINT (MIN)	"G" RELEASE POINT (MAX)	OVER-TRAVEL (MIN)	DIFF TRAVEL (MIN)	FORCE AT OPERATE POINT		UNACTUATED OUTPUT VOLTAGE	OUTPUT TRANSISTOR	SOLDER PLATED TERMINALS		
							OUNCES	GRAMS			CATALOG LISTING	STYLE 1	STYLE 2
							OUNCES	GRAMS			8	9	
.795	NONE	$\frac{16.38}{.645}$	$\frac{14.22}{.560}$	$\frac{15.54}{.612}$	$\frac{1.02}{.040}$	$\frac{0.05}{.002}$	$\frac{.35}{-.14}^{+.18}$	10^{+5}_{-4}	HIGH OFF	VX10	VX12		
							$\frac{3.0}{.88}$	$85^{*}25$	LOW ON	VX11	VX13		
.860	A	$\frac{17.27}{.680}$	$\frac{14.71}{.579}$	$\frac{16.33}{.643}$	$\frac{1.02}{.040}$	$\frac{0.05}{.002}$	$\frac{.35}{.2}$	$10^{*}5$	HIGH OFF	VX10-A1	VX12-A1		
							$\frac{2.8}{*}1.1$	$80^{*}30$	LOW ON	VX11-A1	(H)		
1.400	A	$\frac{19.28}{.759}$	$\frac{13.94}{.549}$	$\frac{17.32}{.682}$	$\frac{2.16}{.085}$	$\frac{0.10}{.004}$	$\frac{0.2}{.1}$	5^{+3}_{-2}	HIGH OFF	VX10-A2	(H)		
							$\frac{1.41}{*}50$	$40^{*}15$	LOW ON	VX80-A2	VX13-A2		
2.340	A	$\frac{22.58}{.889}$	$\frac{12.62}{.497}$	$\frac{18.97}{.747}$	$\frac{4.06}{.160}$	$\frac{0.20}{.008}$	$\frac{.10}{.07}$	$3^{*}2$	HIGH OFF	VX10-A3	VX12-A3		
							$\frac{.75}{.35}^{+.15}_{-.25}$	21^{+9}_{-7}	LOW ON	VX11-A3	VX13-A3		
1.285	B	$\frac{22.23}{.875}$	$\frac{17.02}{.670}$	$\frac{20.52}{.808}$	$\frac{1.91}{.075}$	$\frac{0.10}{.004}$	$\frac{0.20}{.10}^{+.15}_{-.10}$	5^{+4}_{-2}	HIGH OFF	VX10-B1	VX12-B1		
							$\frac{1.55}{*}5.3$	$44^{*}15$	LOW ON	VX11-B1	VX13-B1		
.810	C	$\frac{22.48}{.885}$	$\frac{19.99}{.787}$	$\frac{21.62}{.851}$	$\frac{1.02}{.040}$	$\frac{0.05}{.002}$	$\frac{.40}{.20}$	$12^{*}5$	HIGH OFF	VX10-C1	VX12-C1		
							$\frac{3.0}{*}1.06$	$85^{*}30$	LOW ON	VX11-C1	VX13-C1		
$\frac{.795}{\Delta}$	A	$\frac{17.78}{.700}$	$\frac{14.73}{.580}$	$\frac{16.13}{.635}$	$\frac{1.02}{.040}$	$\frac{0.10}{.004}$	$\frac{.35}{-.14}^{+.18}$	10^{+5}_{-4}	LOW ON	VX81-A2-GE			
1.226	F	$\frac{25.73}{1.013}$	$\frac{21.72}{.855}$	$\frac{23.98}{.944}$	$\frac{1.65}{.065}$	$\frac{0.13}{.005}$	$\frac{.35}{-.14}^{+.18}$	10^{+5}_{-4}	HIGH OFF	VX10-F1	VX11-F1		
1.250	F	$\frac{25.58}{1.007}$	$\frac{21.72}{.855}$	$\frac{23.83}{.938}$	$\frac{1.65}{.065}$	$\frac{0.13}{.005}$	$\frac{.35}{-.14}^{+.18}$	10^{+5}_{-4}	HIGH OFF	VX10-FA			

NOTE
 Δ MEASUREMENTS TAKEN OVER PLUNGER

DRAWING NUMBER: VX SERIES CHART 1
 PAGE 2 OF 4
 ISSUE: 21
 RELEASE NO. PR-12882
 REPLACES: X80986-VX
 REVISIONS:
 L CO-95107
 G J W 29 APR 99
 K CO-95704
 DLM 22 MAR 00
 CHECK J A F 13 JAN 99
 CHECK J A F 08 DEC 98
 CHECK J A F 13 JAN 99
 FORMTEK DRAWN J A S BAUG88



MASTER REDUCED
ANSI Y14.5M-1982 APPLIES

THIS DRAWING COVERS A PROPRIETARY ITEM AND IS THE PROPERTY OF MICRO SWITCH, A DIVISION OF HONEYWELL. THIS DRAWING IS NOT TO BE COPIED OR USED WITHOUT THE APPROVAL OF MICRO SWITCH.

MICRO SWITCH
a Honeywell Division

SWITCH - SOLID STATE

CATALOG LISTING
VX SERIES
CHART 1

FED. MFG. CODE 91929

THIRD ANGLE PROJECTION

SCALE NONE

DO NOT SCALE PRINT

UNLESS OTHERWISE SPECIFIED TOLERANCES ARE

ONE PLACE	(.0)	±.030
TWO PLACES	(.00)	±.015
THREE PLACES	(.000)	±.005
ANGLES		±

WEIGHT

UNLESS OTHERWISE NOTED MECHANICAL CHARACTERISTICS ARE GIVEN ON LEVER OVER PLUNGER

"D" LEVER ACTUATION POINT	LEVER TYPE	"E" FREE POSITION (MAX)	"F" OPERATION POINT (MIN)	"G" RELEASE POINT (MAX)	OVER-TRAVEL (MIN)	DIFF TRAVEL (MIN)	FORCE AT OPERATE POINT		UNACTUATED OUTPUT VOLTAGE	OUTPUT TRANSISTOR	CATALOG LISTING		COMMENTS	
							OUNCES	GRAMS			STYLE 1	STYLE 2		
.795	F	$\frac{17.02}{.670}$	$\frac{14.86}{.585}$	$\frac{16.18}{.637}$	$\frac{0.91}{.036}$	$\frac{0.05}{.002}$.35	$\frac{+18}{-14}$	10	$\frac{+5}{-4}$	HIGH	OFF	VX10-F4	GENICOM DRAWING NO. 44A501960-001
.795	H	$\frac{17.02}{.670}$	$\frac{15.37}{.605}$	$\frac{16.69}{.657}$	$\frac{0.91}{.036}$	$\frac{0.05}{.002}$.35	$\frac{+18}{-14}$	10	$\frac{+5}{-4}$	HIGH	OFF		
.795	F	$\frac{17.02}{.670}$	$\frac{14.86}{.585}$	$\frac{16.18}{.637}$	$\frac{0.91}{.036}$	$\frac{0.05}{.002}$.35	$\frac{+18}{-14}$	10	$\frac{+5}{-4}$	LOW	ON		
.795	H	$\frac{17.02}{.670}$	$\frac{15.37}{.605}$	$\frac{16.69}{.657}$	$\frac{0.91}{.036}$	$\frac{0.05}{.002}$.35	$\frac{+18}{-14}$	10	$\frac{+5}{-4}$	HIGH	OFF	VX10-H2	
	NONE	$\frac{16.38}{.645}$	$\frac{14.22}{.560}$	$\frac{15.54}{.612}$	$\frac{1.02}{.040}$	$\frac{0.05}{.002}$	1.2*	18	34*	5	HIGH	OFF	VX30HP	
.795	A	$\frac{17.02}{.670}$	$\frac{14.86}{.585}$	$\frac{16.18}{.637}$	$\frac{0.91}{.036}$	$\frac{0.05}{.002}$.35	$\frac{+18}{-14}$	10	$\frac{+5}{-4}$	HIGH	OFF		
.795	F	$\frac{17.02}{.670}$	$\frac{14.86}{.585}$	$\frac{16.18}{.637}$	$\frac{0.91}{.036}$	$\frac{0.05}{.002}$.35	$\frac{+18}{-14}$	10	$\frac{+5}{-4}$	HIGH	OFF		
.795	F	$\frac{17.02}{.670}$	$\frac{14.86}{.585}$	$\frac{16.18}{.637}$	$\frac{0.91}{.036}$	$\frac{0.05}{.002}$.35	$\frac{+18}{-14}$	10	$\frac{+5}{-4}$	HIGH	OFF	VX10-F8	
.810	C	$\frac{22.48}{.885}$	$\frac{19.99}{.787}$	$\frac{21.62}{.851}$	$\frac{1.02}{.040}$	$\frac{0.05}{.002}$.19*	.09	5.4*	2.6	HIGH	OFF	VX10-C1L	

DRAWING NUMBER: VX SERIES CHART 1
 PAGE 3 OF 4
 ISSUE: 21
 RELEASE NO. PR-13520
 REPLACES: X80986-VX
 REVISIONS:
 A PR16589
 22 JUL 88
 A PR16590
 J A S
 22 JUL 88
 A C084025
 J A S
 22 JUL 88
 B PR17180
 K A T
 3 MAR 89
 C C093789
 J A S
 3 NOV 88
 D PR23775
 P B F
 08 DEC 88
 E PR23787
 M B O
 13 JAN 89
 F PR23780
 G R T
 25 FEB 89
 G C093843
 J A S
 14 APR 89
 H C0-95107
 G J W
 29 APR 89
 J C0-95704
 D L W
 22 MAR 00
 FORMTEK DRAWN BY: JAS
 CHECKED BY: JAF
 DATE: 22 JUL 88



MASTER REDUCED
ANSI Y14.5M-1982 APPLIES

THIS DRAWING COVERS A PROPRIETARY ITEM AND IS THE PROPERTY OF MICRO SWITCH, A DIVISION OF HONEYWELL. THIS DRAWING IS NOT TO BE COPIED OR USED WITHOUT THE APPROVAL OF MICRO SWITCH.

MICRO SWITCH
a Honeywell Division

SWITCH - SOLID STATE

CATALOG LISTING
VX SERIES
CHART 1

FED. MFG. CODE 91929

THIRD ANGLE PROJECTION

SCALE NONE

DO NOT SCALE PRINT

UNLESS OTHERWISE SPECIFIED TOLERANCES ARE

ONE PLACE	(.0)	±.030
TWO PLACES	(.00)	±.015
THREE PLACES	(.000)	±.005
ANGLES		±

WEIGHT

UNLESS OTHERWISE NOTED MECHANICAL CHARACTERISTICS ARE GIVEN ON LEVER OVER PLUNGER

"D" LEVER ACTUATION POINT	LEVER TYPE	"E" FREE POSITION (MAX)	"F" OPERATION POINT (MIN)	"G" RELEASE POINT (MAX)	OVER-TRAVEL (MIN)	DIFF TRAVEL (MIN)	FORCE AT OPERATE POINT		UNACTUATED OUTPUT VOLTAGE	OUTPUT TRANSISTOR	CATALOG LISTING		IBM DRAWING NO.	COMMENTS
							OUNCES	GRAMS			STYLE 1	STYLE 2		
.795	F	$\frac{17.02}{.670}$	$\frac{14.86}{.585}$	$\frac{16.18}{.637}$	$\frac{0.91}{.036}$	$\frac{0.05}{.002}$.35 $\frac{+.18}{-.14}$	10 $\frac{+5}{-4}$	HIGH	OFF	VX10-F1		4592340	
.795	F	$\frac{17.02}{.670}$	$\frac{14.86}{.585}$	$\frac{16.18}{.637}$	$\frac{0.91}{.036}$	$\frac{0.05}{.002}$.35 $\frac{+.18}{-.14}$	10 $\frac{+5}{-4}$	HIGH	OFF	(F)		4593242	
.795	F	$\frac{17.02}{.670}$	$\frac{14.86}{.585}$	$\frac{16.18}{.637}$	$\frac{0.91}{.036}$	$\frac{0.05}{.002}$.35 $\frac{+.18}{-.14}$	10 $\frac{+5}{-4}$	HIGH	OFF	(F)		4593470	
.795	F	$\frac{17.02}{.670}$	$\frac{14.86}{.585}$	$\frac{16.18}{.637}$	$\frac{0.91}{.036}$	$\frac{0.05}{.002}$.35 $\frac{+.18}{-.14}$	10 $\frac{+5}{-4}$	HIGH	OFF	(F)		4592552	

IBM CORPORATION SWITCHES ONLY THIS PAGE

DRAWING NUMBER: VX SERIES CHART 1
 PAGE 4 OF 4
 ISSUE: 21
 RELEASE NO. PR-13487
 REPLACES: X80986-VX
 REVISIONS:
 A CO64025 J A S 9 AUG 88
 B CO93789 D L T 3 NOV 98
 C PR23775 P P F 03 DEC 98
 D PR23787 M P O 13 JAN 99
 E PR23780 P P F 25 FEB 99
 F CO93843 D L T 14 APR 99
 G CO-95107 S L W 29 APR 99
 H CO-95704 D L M 22 MAR 00
 CHECK J A F 13JAN99
 CHECK J A F 09DEC98
 CHECK J A F 09AUG88
 FORMTEK DRAWN



MASTER REDUCED
ANSI Y14.5M-1982 APPLIES

THIS DRAWING COVERS A PROPRIETARY ITEM AND IS THE PROPERTY OF MICRO SWITCH, A DIVISION OF HONEYWELL. THIS DRAWING IS NOT TO BE COPIED OR USED WITHOUT THE APPROVAL OF MICRO SWITCH.

MICRO SWITCH
a Honeywell Division

SWITCH - SOLID STATE

CATALOG LISTING
VX SERIES
CHART 1

FED. MFG. CODE 91929

THIRD ANGLE PROJECTION	
SCALE	NONE
DO NOT SCALE PRINT	
UNLESS OTHERWISE SPECIFIED TOLERANCES ARE	
ONE PLACE	(.0) ±.030
TWO PLACES	(.00) ±.015
THREE PLACES	(.000) ±.005
ANGLES	±
WEIGHT	